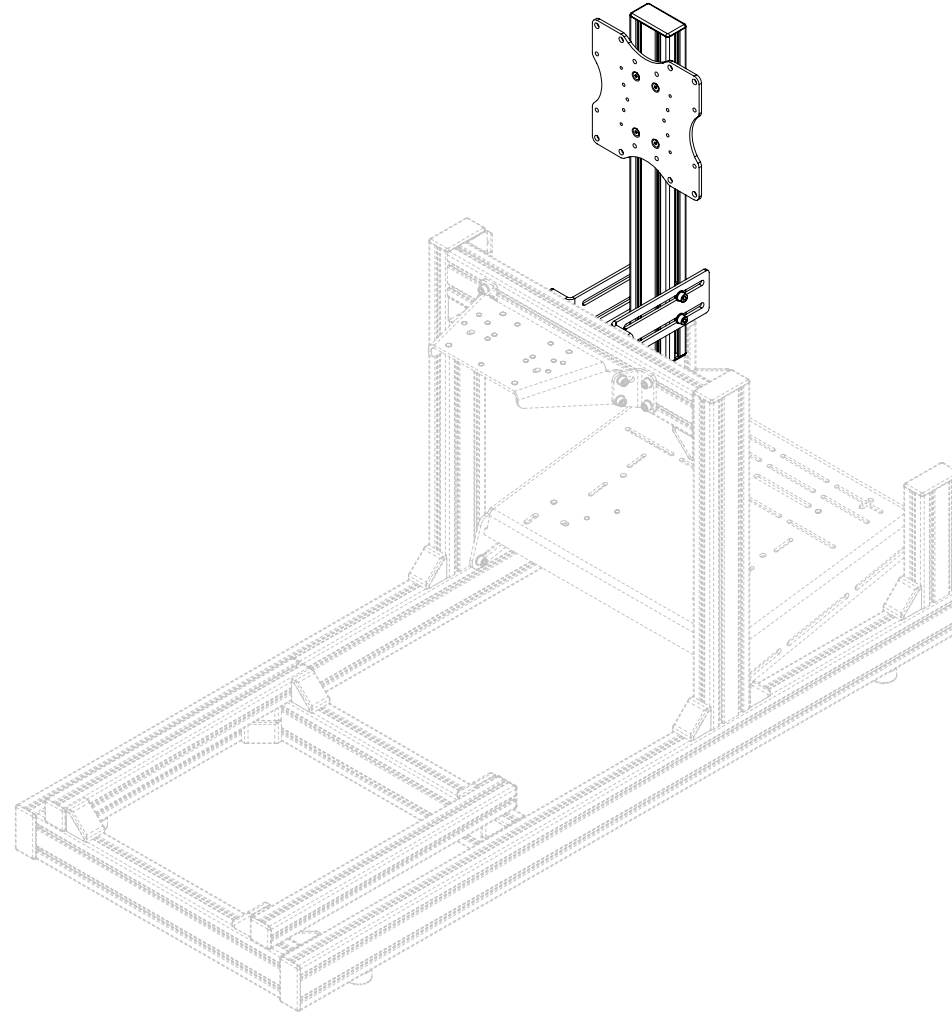


SIM LAB

INSTRUCTION MANUAL



GT1-EVO SINGLE SCREEN HOLDER

VERSION 1.1

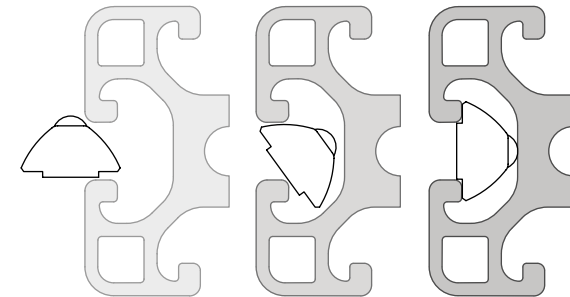
Last updated: 19-05-2022

BEFORE YOU START:

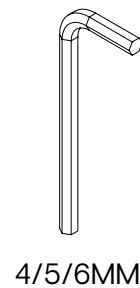
Thank you for purchasing this Sim-Lab product! On the following pages, you will find detailed instructions on assembly. This requires only a set of simple tools and some of your time. Please check the bill of materials before starting (page 8) and make sure all the parts are delivered.

Inserting Slot-Nuts:

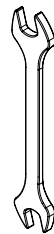
You got excited, finished the build, put the caps on, but forgot to install one element. Do not worry. It happens to everyone. In this diagram, you can see how to insert a Slot-Nut directly into the slot from the side. You can also use one of your smaller Hex wrenches to help wiggle the Slot-Nut in place.



Tools needed:



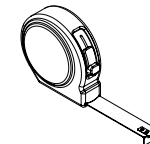
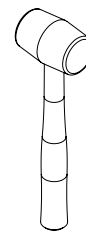
4/5/6MM

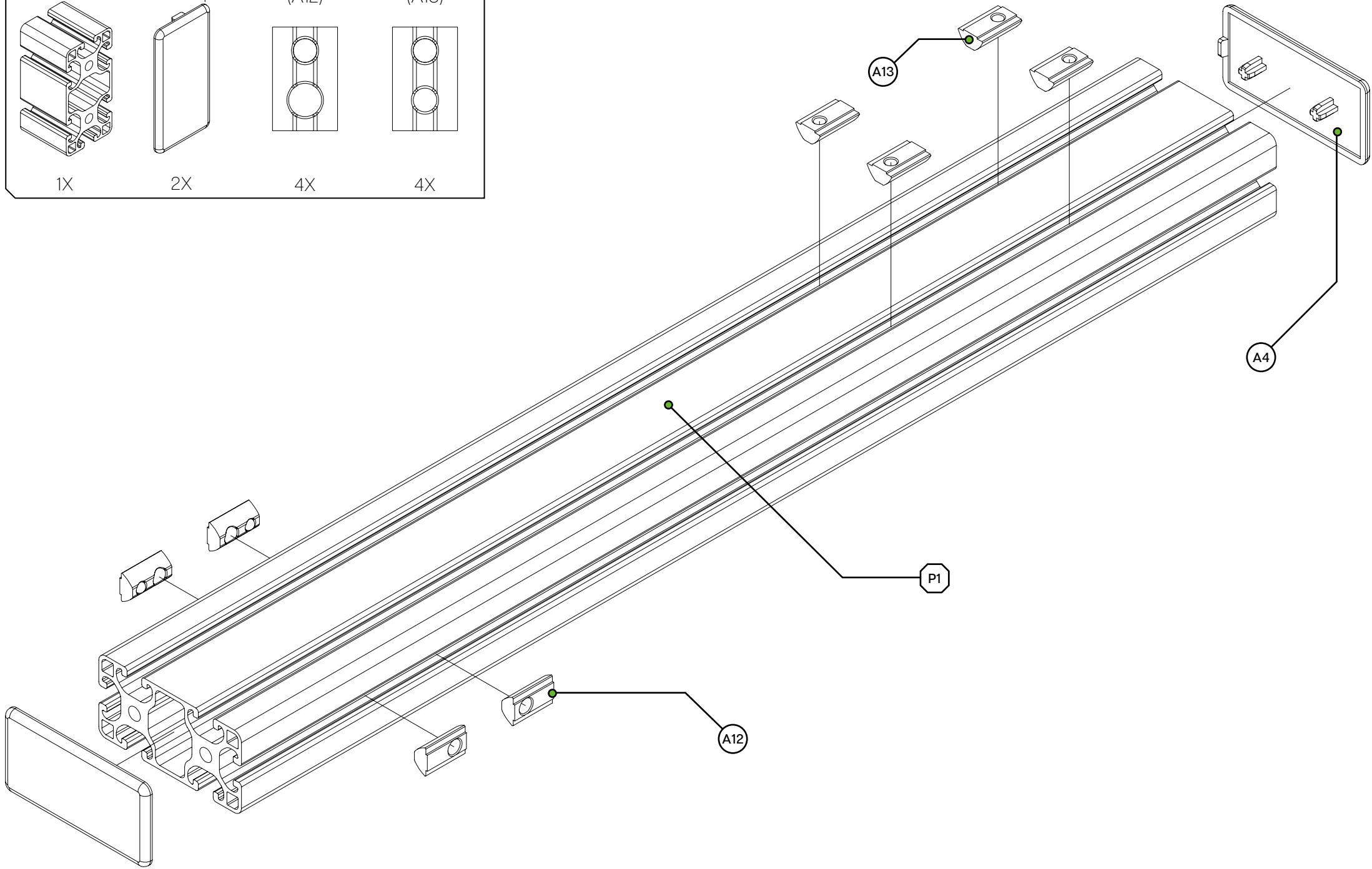
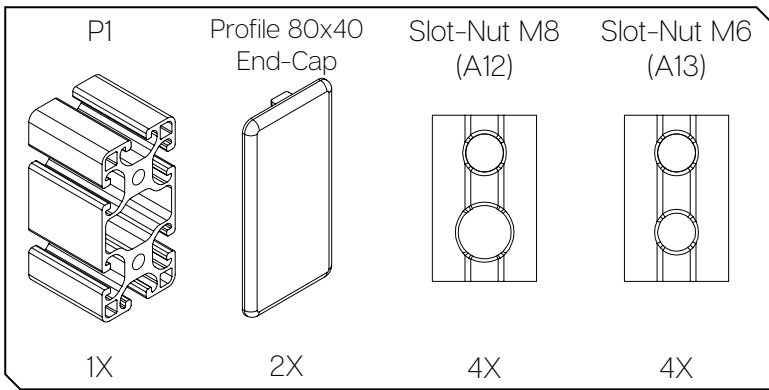


7MM

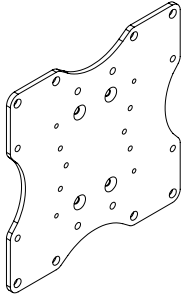


+



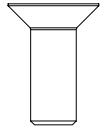


VESA 200

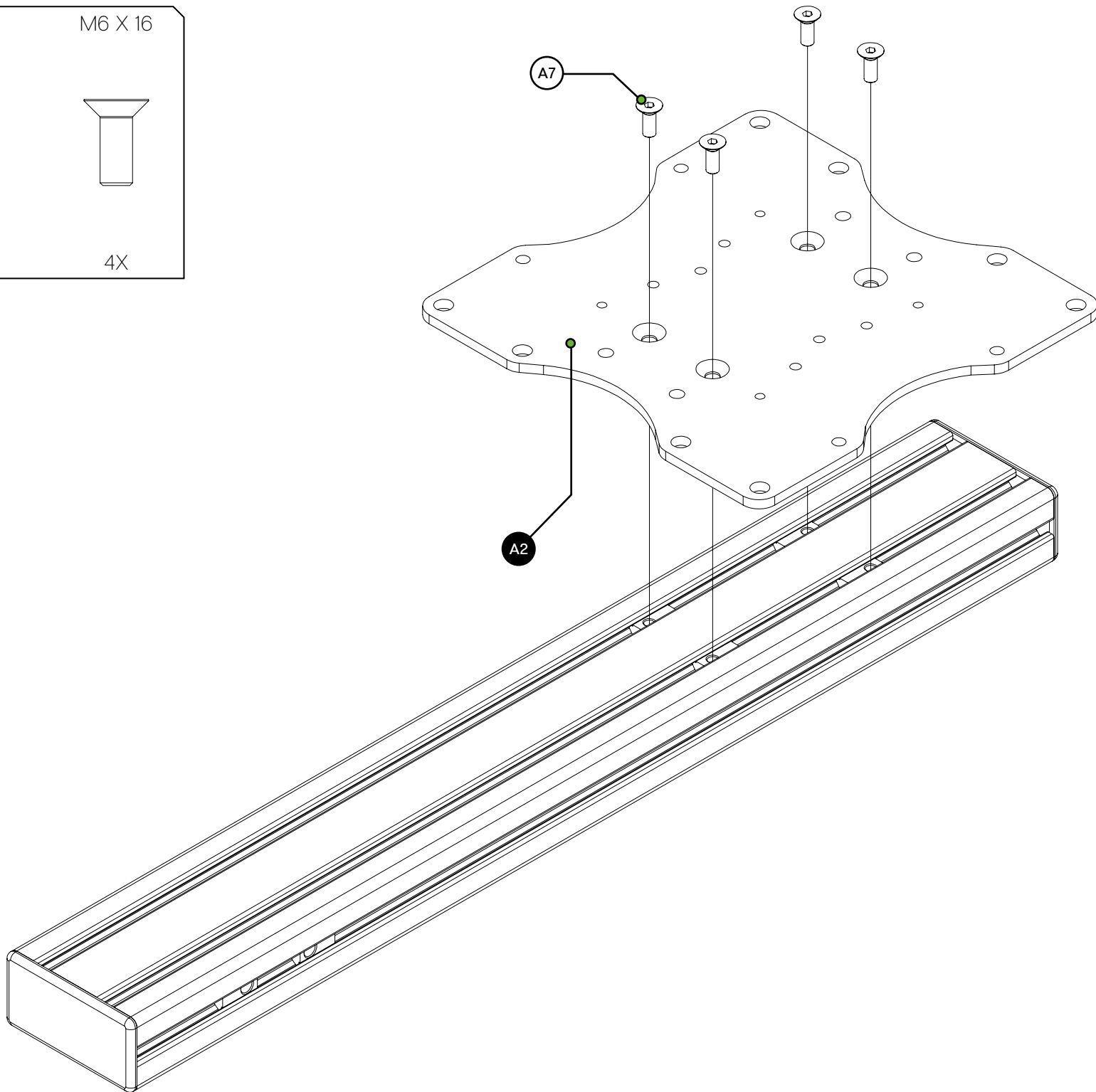


1X

M6 X 16



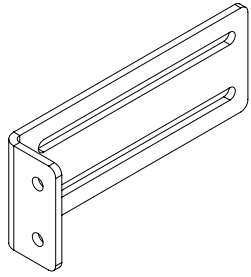
4X



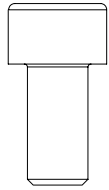
Screen Holder Plate

M8 X 16

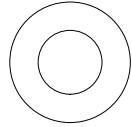
Washer M8



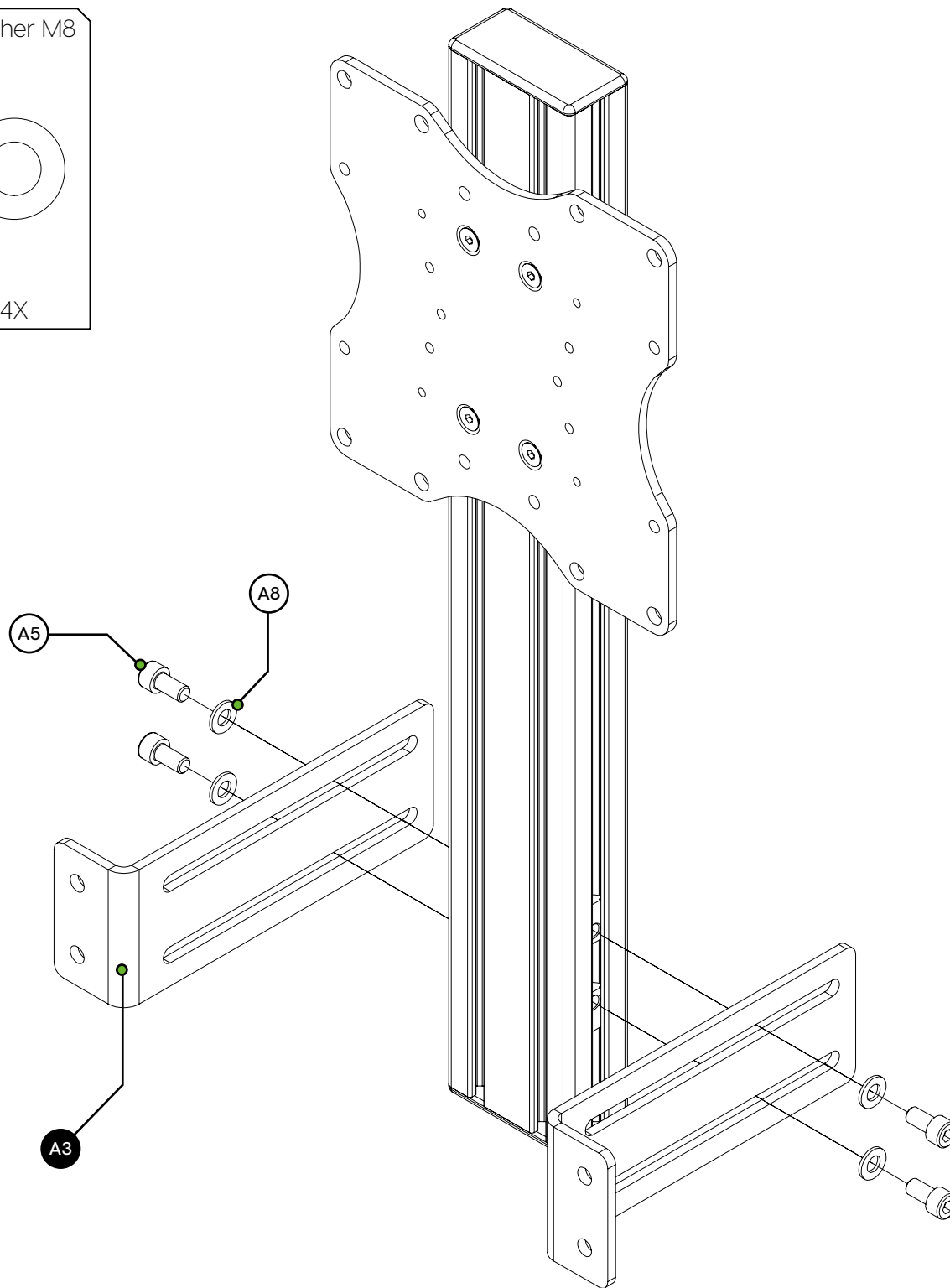
2X



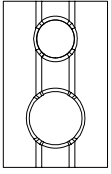
4X



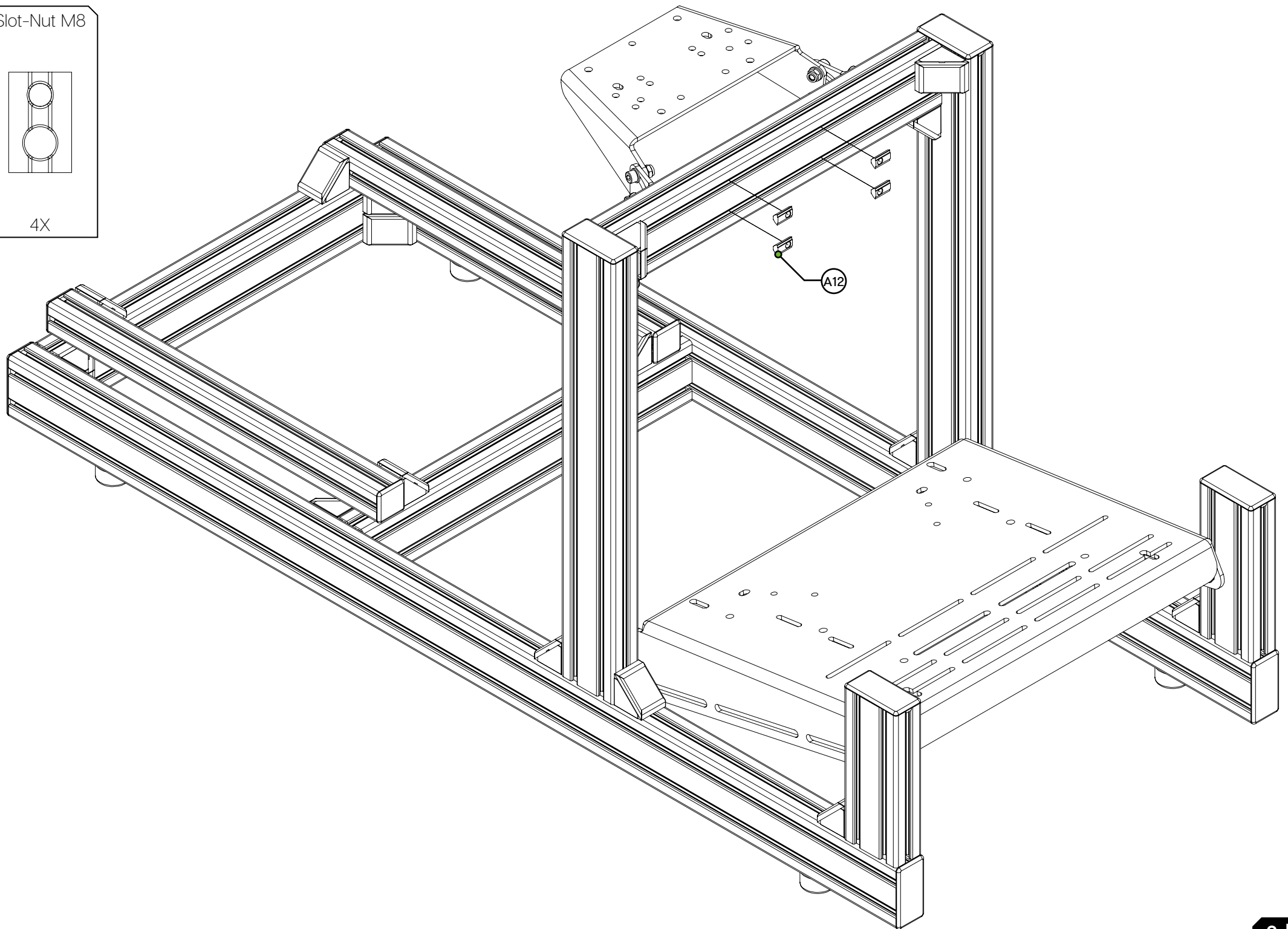
4X



Slot-Nut M8

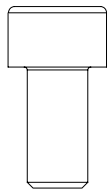


4X

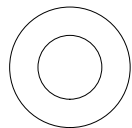


M8 X 16

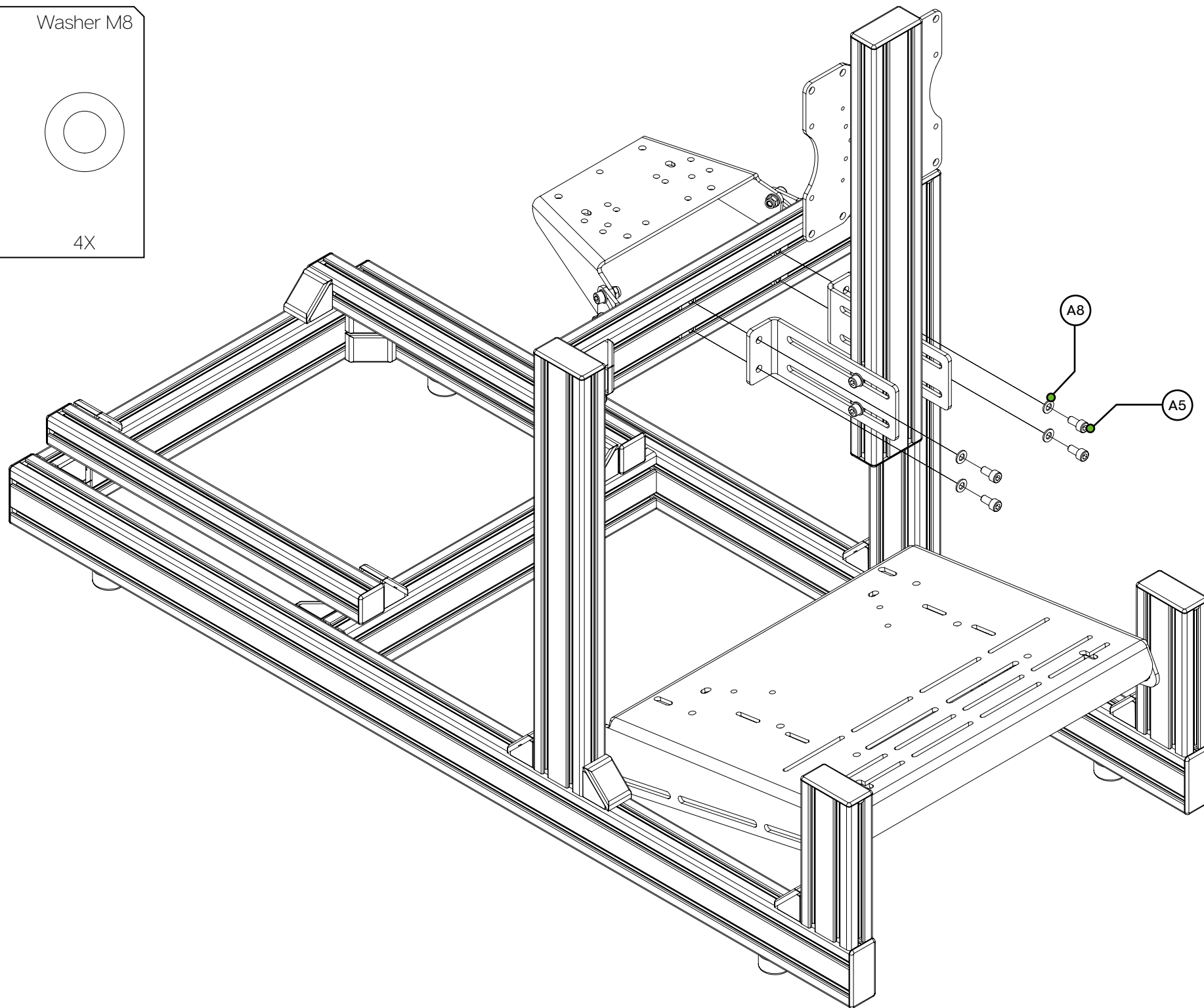
Washer M8



4X



4X



PROFILE KIT			
#	Part	QTY	Note
P1	80X40 Length=550mm	1	
HARDWARE KIT			
A2	VESA 200	1	
A3	Screen holder plate	2	
A4	Profile 80x40 end-cap	2	
A5	Bolt M8 X 16 DIN 912	8	
A6	Bolt M6 X 16 DIN 912	4	
A7	Bolt M6 X 16 DIN 7991	4	Countersunk
A8	Washer M8 DIN 125-A	8	
A9	Screw Philips M4 X 16 DIN 7985	4	Use to attach monitor to VESA bracket.
A10	Screw Philips M4 X 10 DIN 7985	4	Use to attach monitor to VESA bracket.
A11	Spacer male/female M4 X 10	4	Use as spacers for VESA bracket when the bracket doesn't clear the monitor.
A12	Slot-Nut M8	8	
A13	Slot-Nut M6	4	
<i>Disclaimer: for some entries on this list, we supply more than required as spare materials. Don't worry if you have some leftovers, this is intentional.</i>			

If you still have some questions regarding assembly of this product or about the manual itself, please refer to our support department. They can be reached at

support@sim-lab.eu

Alternatively, we now have a Discord server where there are quite some experienced Sim-Lab customers hanging out. They might just help you along if you ask them nicely ;)

www.sim-lab.eu/discord

If you feel like printing this manual, please consider the environment before doing so. For the best results, make sure you print at 100% scale without borders.

[Product page on the Sim-Lab website:](#)

