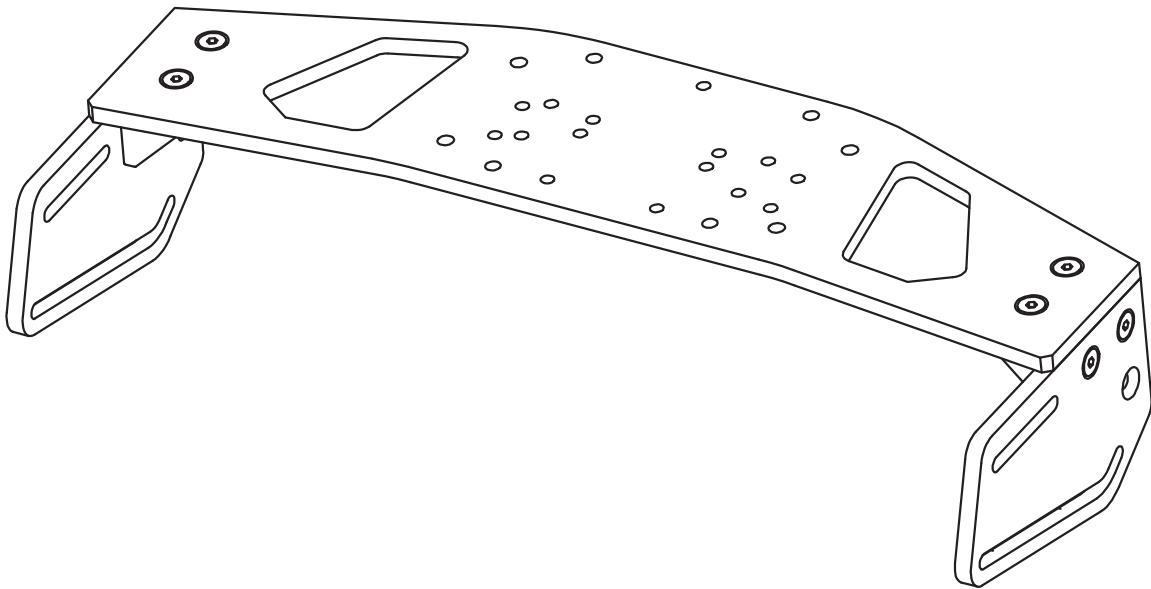


# Wheel deck bolted version

## INSTRUCTION MANUAL

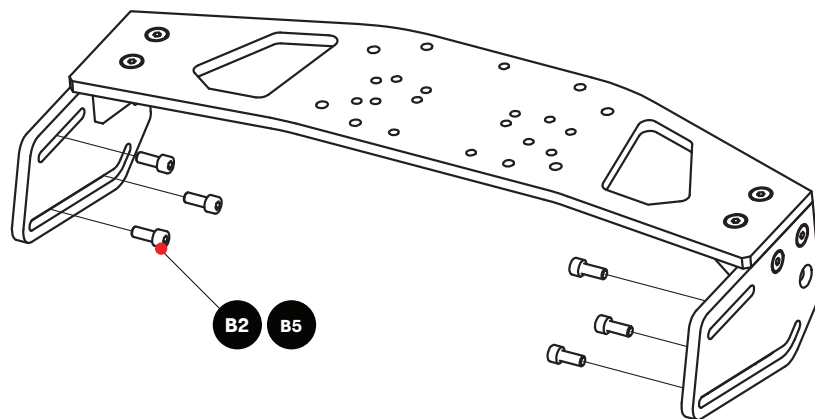
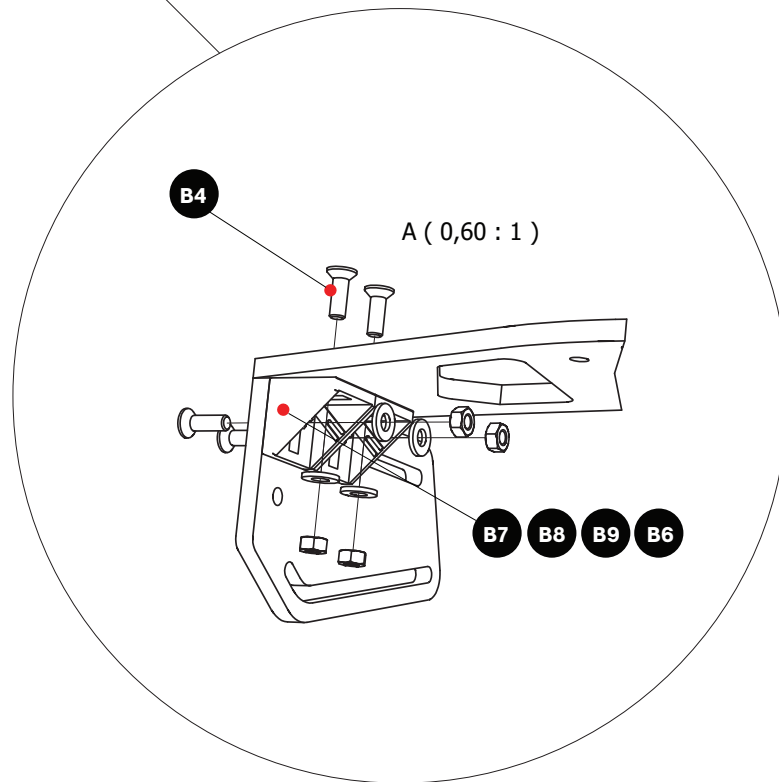
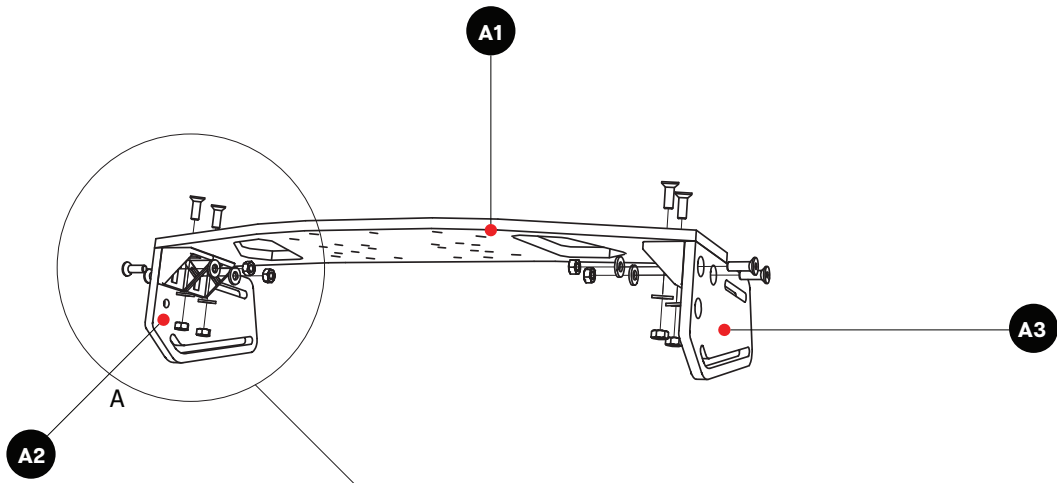


SKU: **SLA090**

<https://sim-lab.eu/shop/product/wheel-deck-v2-1415>

[info@sim-lab.eu](mailto:info@sim-lab.eu)





# Parts list

Plates				
Part No.	Part name	QTY	UoM	Note
A1	Wheel deck top plate	1	Units	
A2	Wheel deck side mount plate - LEFT	1	Units	
A3	Wheel deck side mount plate - RIGHT	1	Units	

Hardware kit				
Part No.	Part name	QTY	UoM	Note
B1	Bolt - DIN 912 (Black steel, 16mm, M8)	4	Units	
B2	Bolt - DIN 912 (Black steel, 20mm, M8)	8	Units	
B3	Bolt - DIN 7991 (Black steel, 16mm, M8)	2	Units	
B4	Bolt - DIN 7991 (Black steel, 25mm, M8)	8	Units	
B5	Slot 8 nut (M8)	10	Units	
B6	Washer (Black steel, M8, Plain black)	18	Units	
B7	Corner bracket 40x40	4	Units	
B8	Cover cap for corner bracket 40x40	4	Units	
B9	Nut (M8, DIN 985 locknut, Plain black)	10	Units	