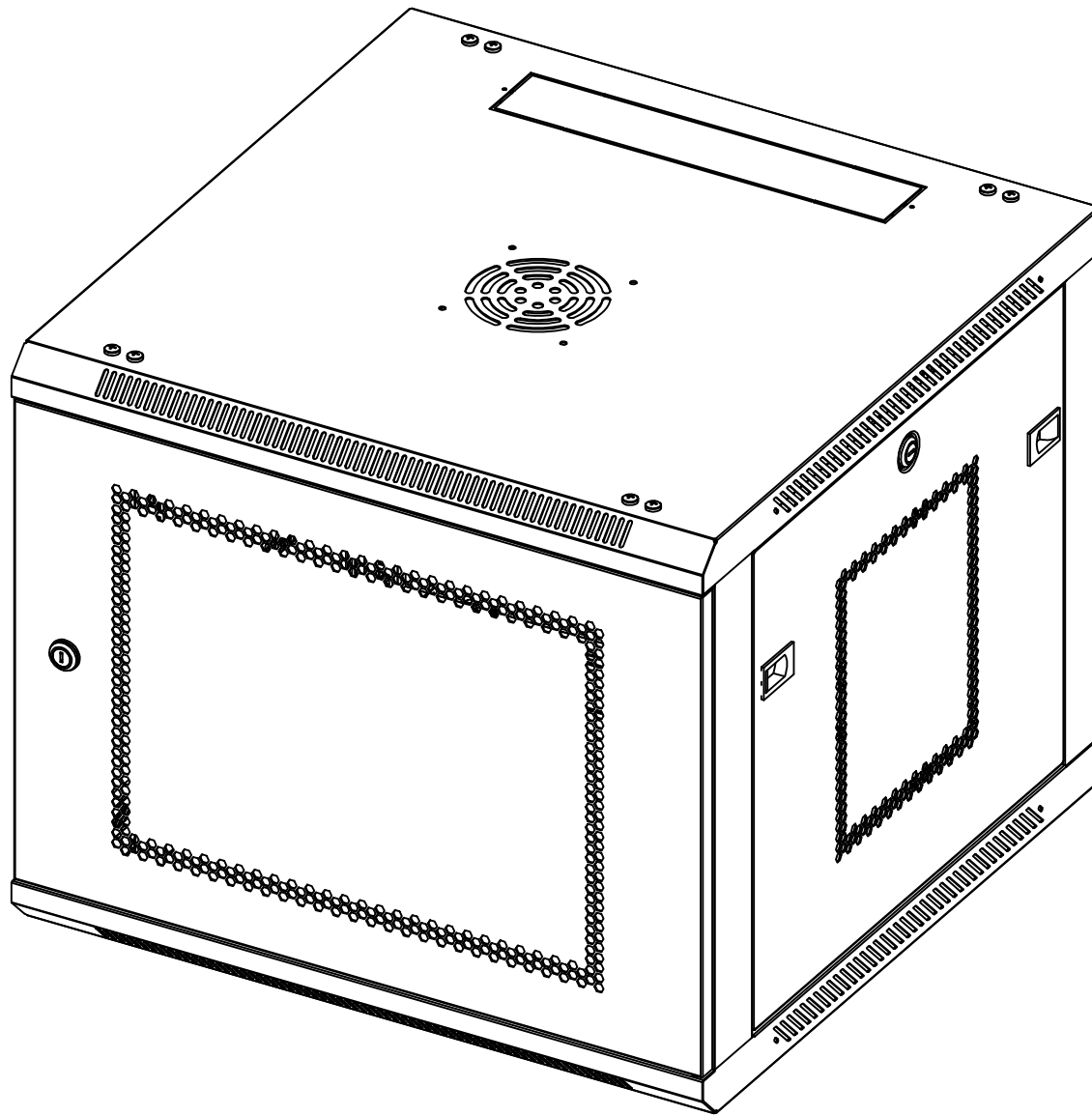
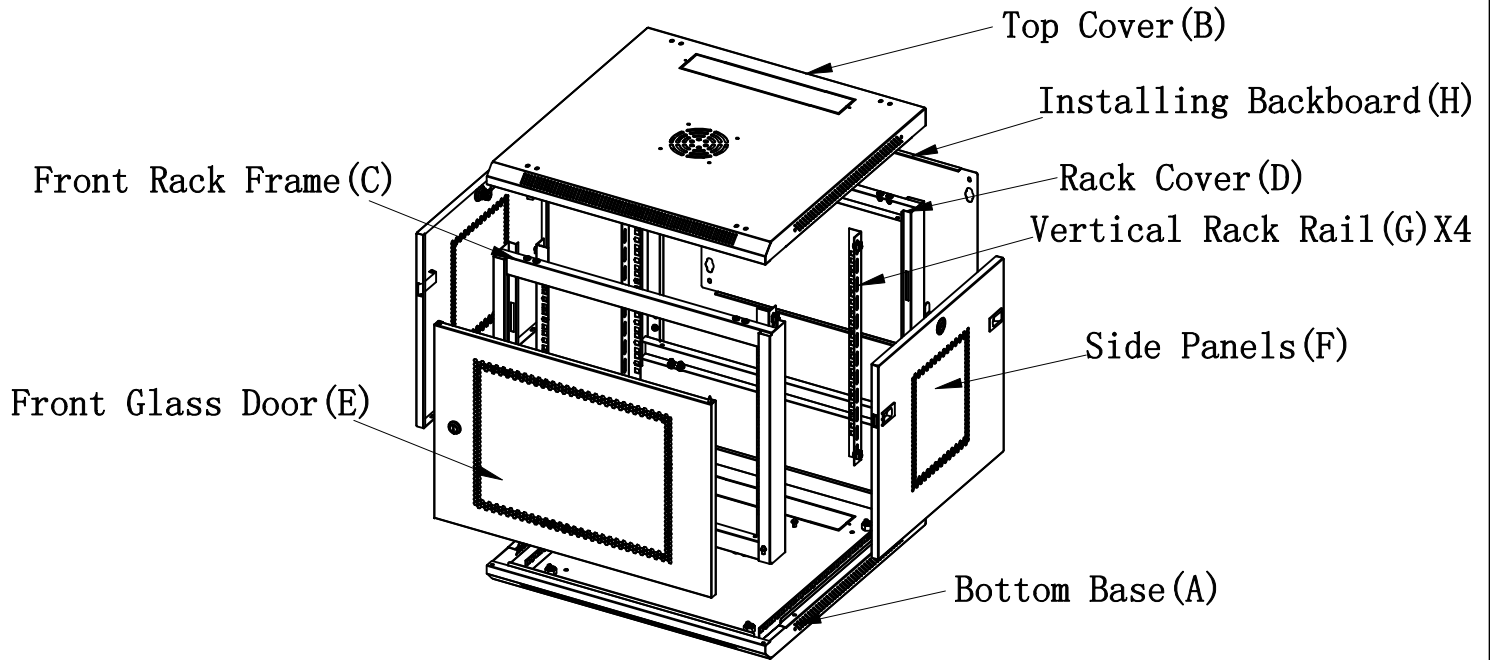


User Manual



Body Parts



(I)



M6*12 screw
(16)

(J)



M6 Hexagon flange nuts
(16)

(K)



M6*12 screw
(8)

(L)



M6 cage
(8)

(M)



M5*10 screw
(4)

(N)



M5 Hexagon flange nuts
(4)

(O)



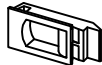
side panel pin
(4)

(P)



front door pin
(1)

(Q)



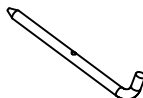
latch
(4)

(R)



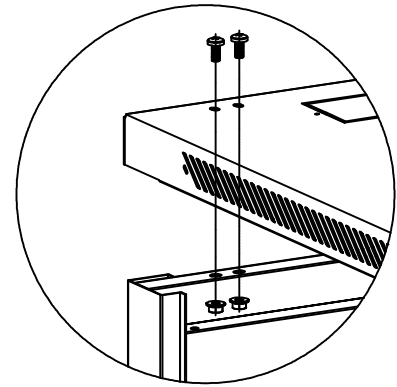
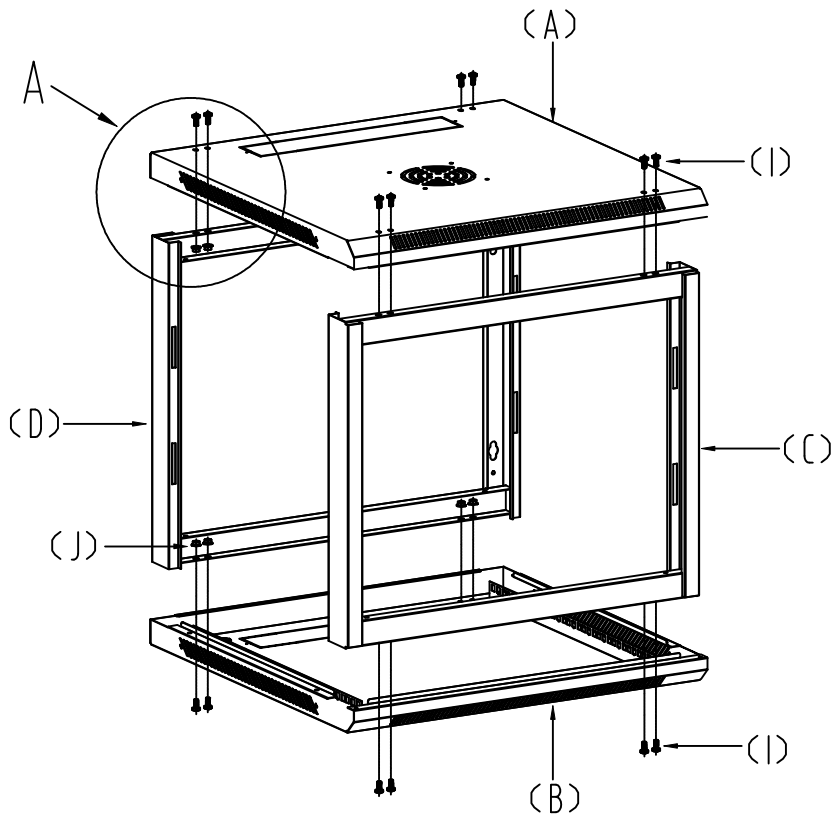
JC01 lock
(3)

(S)



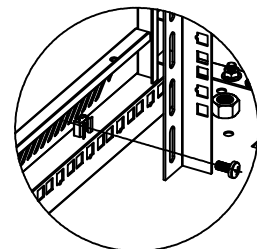
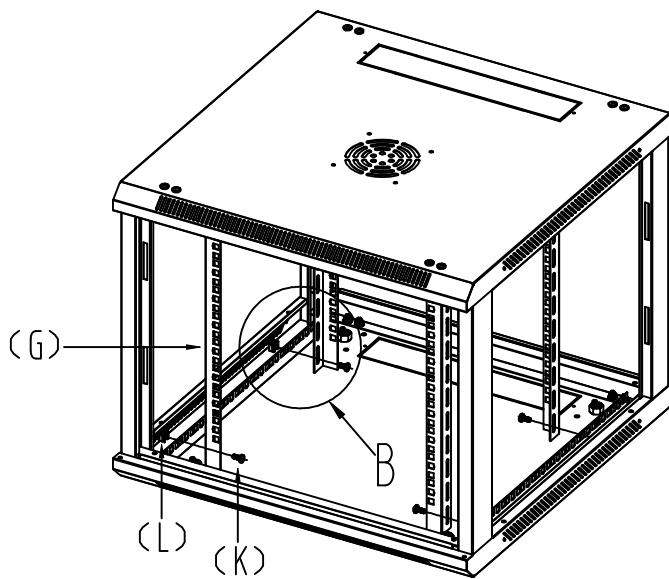
bolt
(1)

first step, install the bottom panel and top cover into the frames



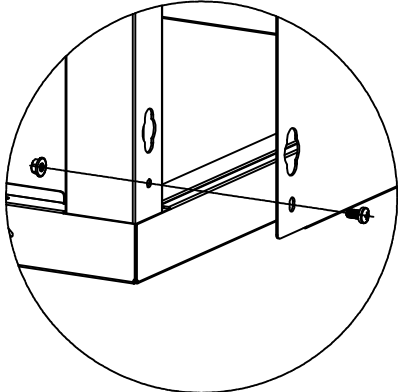
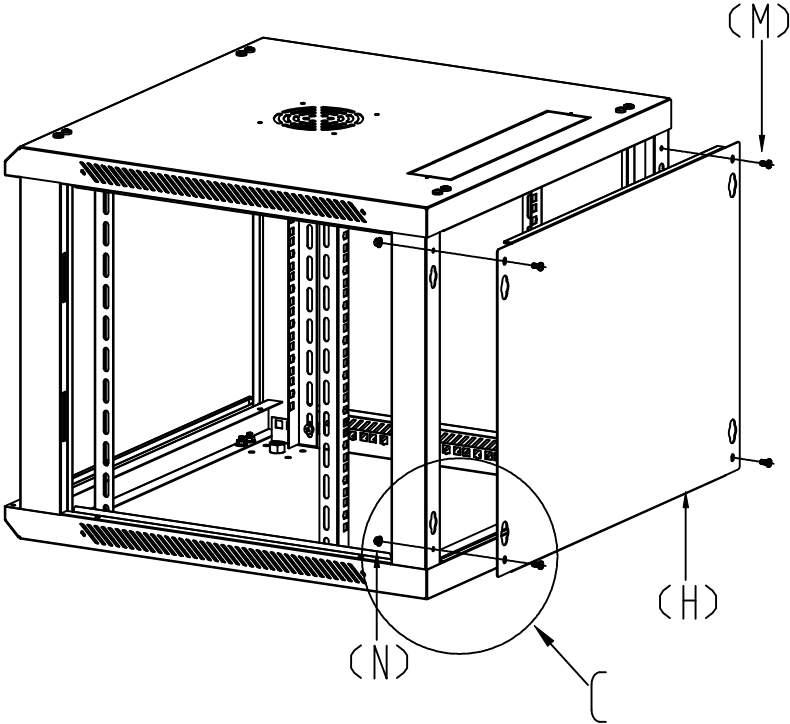
Detail A

second step, install the mounting rails



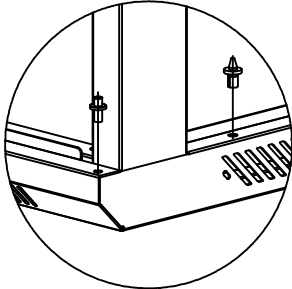
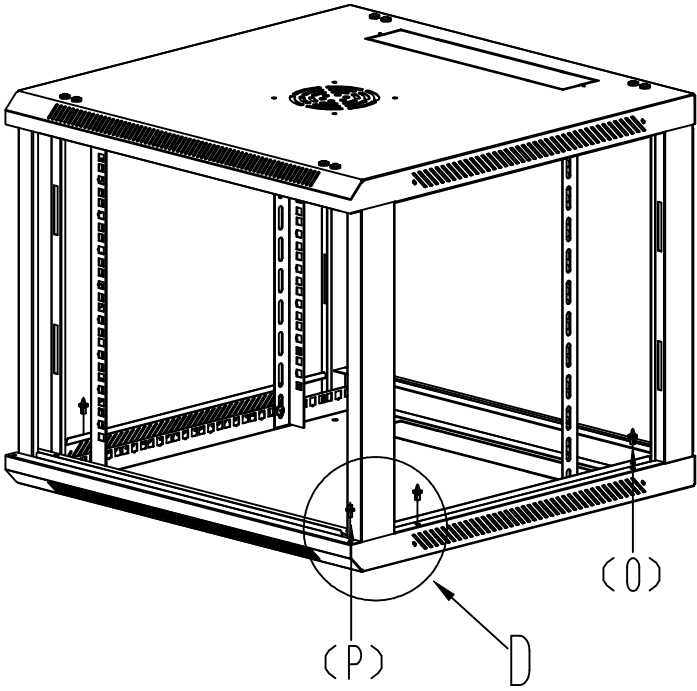
Detail B

third step, install the back panel into the frames



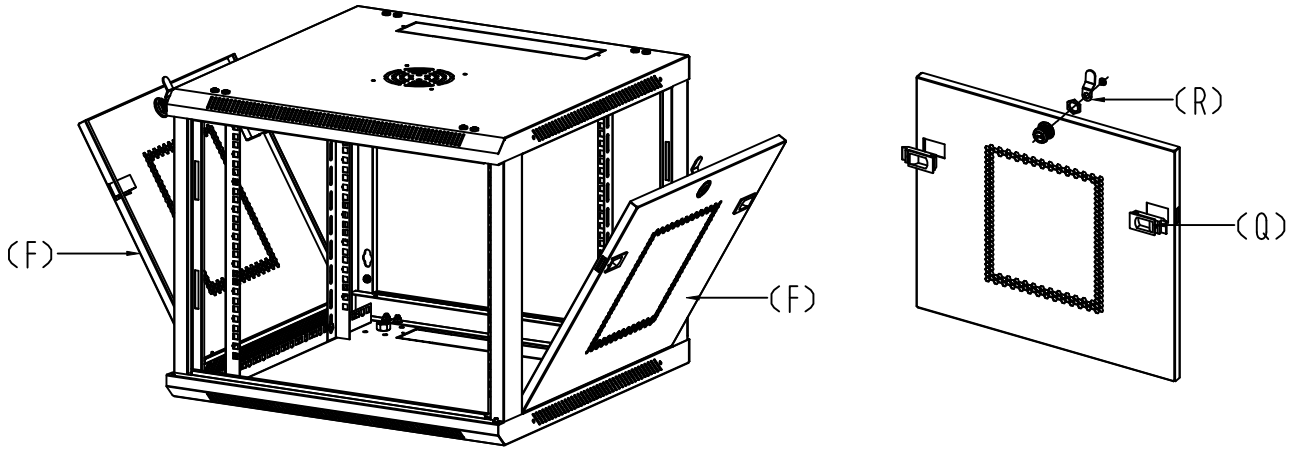
Detail C

fourth step, install the side panel pin and front door pin

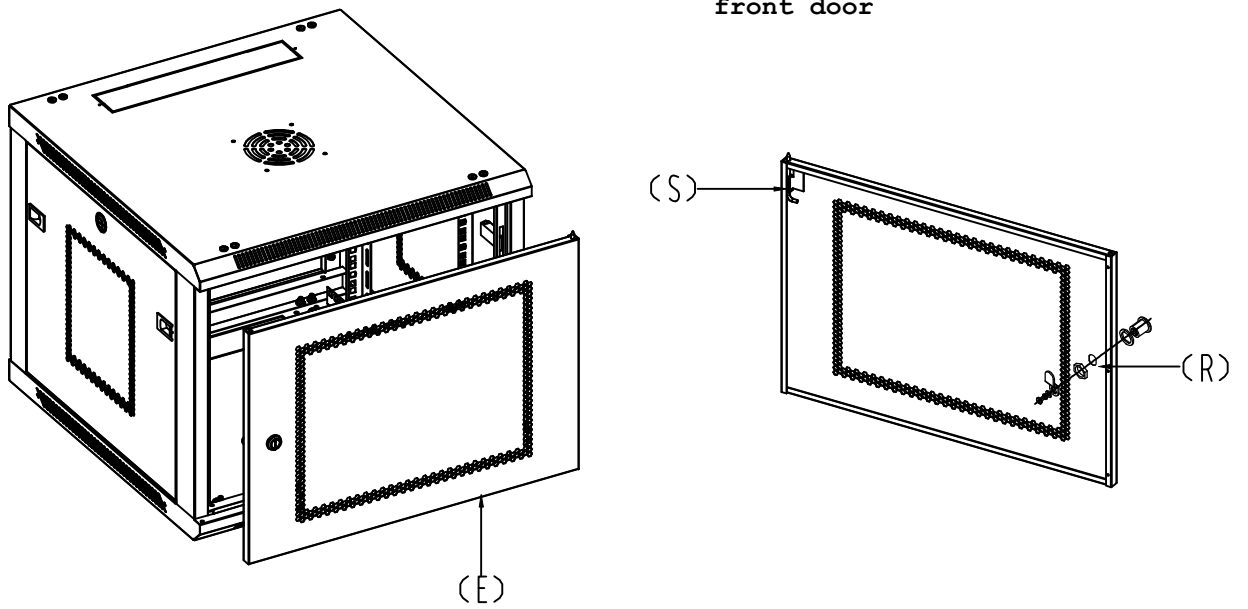


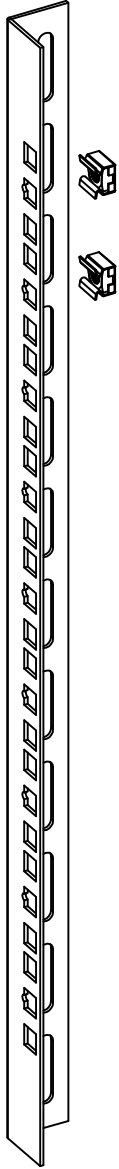
Detail D

fifth step, install the side panels

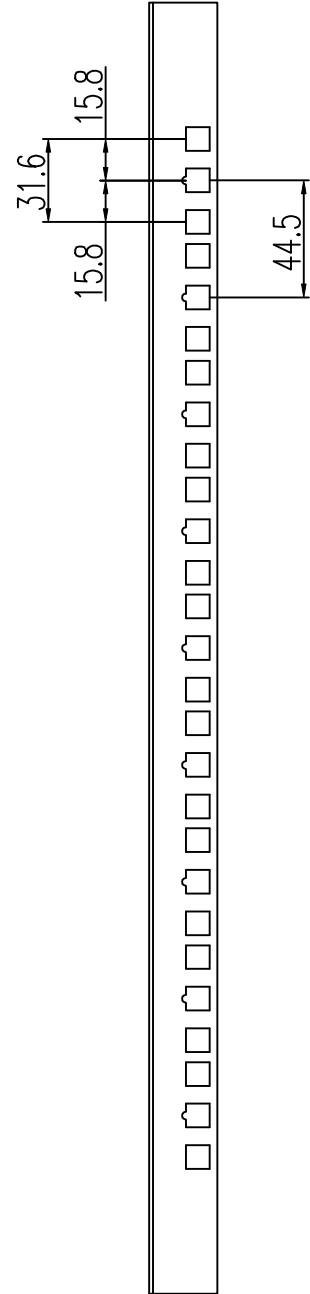


sixth step, install the front door





cage nuts into the mounting rails



last step, mounting the
back panel to the wall

