



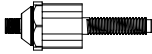
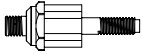
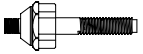
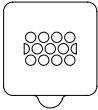

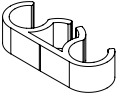


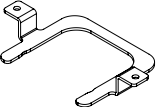

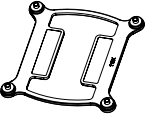
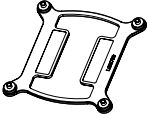


# HyperFlow **ARGB**

—— Chart - Topping AIO Giant ——

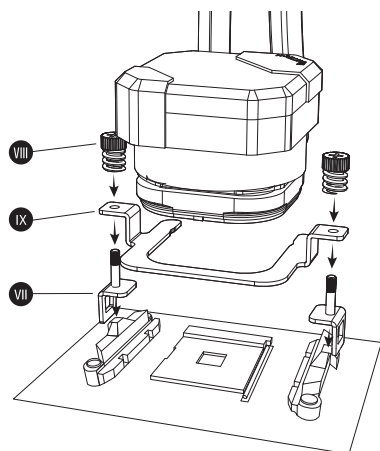
## — Specifications —

<b>HyperFlow ARGB</b>		
<b>Model</b>	360 / 240	
<b>TDP</b>	310W	
<b>CPU Socket</b>	Intel: LGA 115X / 1200 / 1700 / 20XX / 1851	
	AMD: AM3 / AM4 / AM5	
<b>Tube Length</b>	400mm	
<b>Color</b>	Black / White	
<b>Warranty</b>	6 Years	
<b>Radiator</b>	Radiator Dimension	397×120×27mm / 277×120×27mm
	Radiator Material	Aluminum
<b>Pump</b>	Dimension	W68.8×L68.8×H53mm
	Speed	3100RPM±10%
	Noise	28dB(A)
	Connector	PWM 4Pin
	Rated Voltage	12V DC
	Rated Current	0.3A
	Power Consumption	3.6W
<b>Fan</b>	Included Fans	3pcs / 2pcs
	Fan Dimension	120×120×28mm
	Fan Bearing Type	FDB
	Fan Speed	2200RPM±10%
	Air Flow	76.2CFM
	Air Pressure	3.81mmH2O
	Fan Noise	29.1dB(A)
	Rated Voltage	12V DC
	Rated Current	0.18A
	Power Consumption	2.16W
	Fan Connector	PWM 4Pin
<b>Pump LED</b>	Type	ARGB
	Connector	5V3Pin
	Rated Current	0.45A
	Power Consumption	2.25W
<b>Fan LED</b>	Type	ARGB
	Connector	5V3Pin
	Rated Current	0.39A
	Power Consumption	1.95W

**零件包 / Accessories kit / Kit d'accessoires / Zubehörset / Kit de  
 accesorios / Kit de acessórios / アクセサリーキット / 액세서리 키트 /  
 Набор принадлежностей**

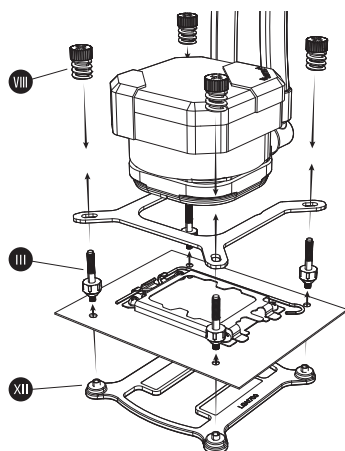
<p><b>I</b> 115X Double-headed Screws X4</p> 	<p><b>II</b> 20XX Double-headed Screws X4</p> 	<p><b>III</b> 1700 Double-headed Screws X4</p> 
<p><b>IV</b> Thermal Paste Stencil X1</p> 	<p><b>V</b> AIO Screws 360 12pcs / 240 8pcs</p> 	<p><b>VI</b> Tube Holder X2</p> 
<p><b>VII</b> AMD Bolt X2</p> 	<p><b>VIII</b> Cross Spring Nut X4</p> 	<p><b>IX</b> AMD Bracket X1</p> 
<p><b>X</b> Double-headed Socket X1</p> 	<p><b>XI</b> 115X Backplate X1</p> 	<p><b>XII</b> 1700 Backplate X1</p> 
<p><b>XIII</b> Thermal Paste X1</p> 	<p><b>XIV</b> Thermal Paste Applicator X1</p> 	

AMD

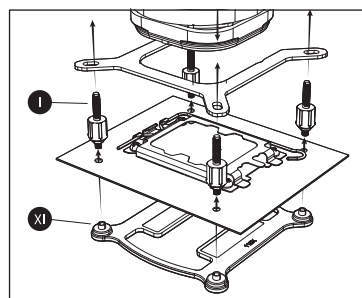


Intel

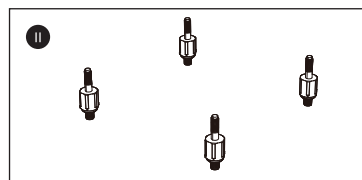
• Intel LGA 1700 / 1851



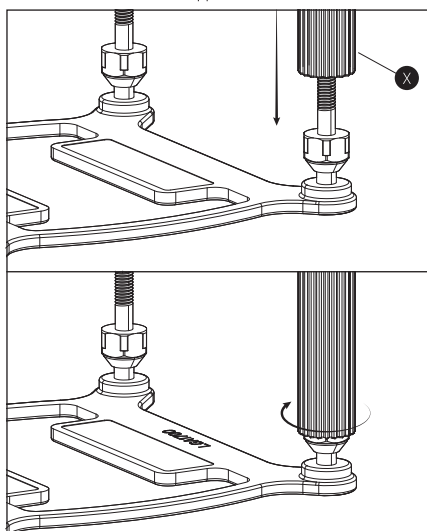
• Intel LGA 115X / 1200



• Intel LGA 20XX



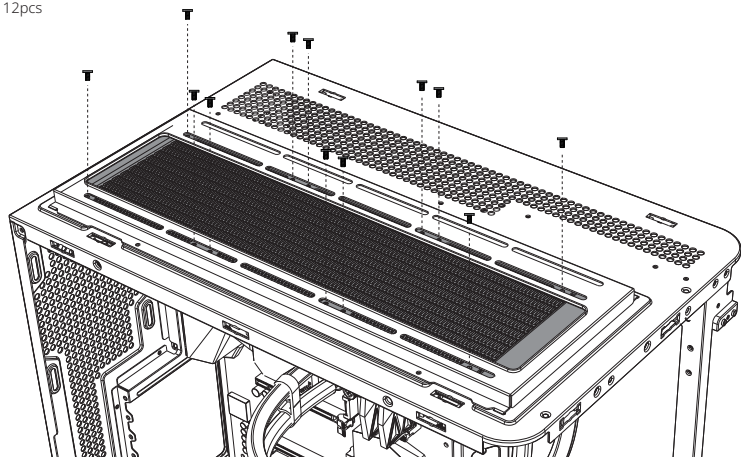
- 雙頭螺絲套筒用於鎖緊或鬆開扣具底板螺絲 (Intel扣具適用)
- Double-headed socket is applicable to screws of Intel bracket



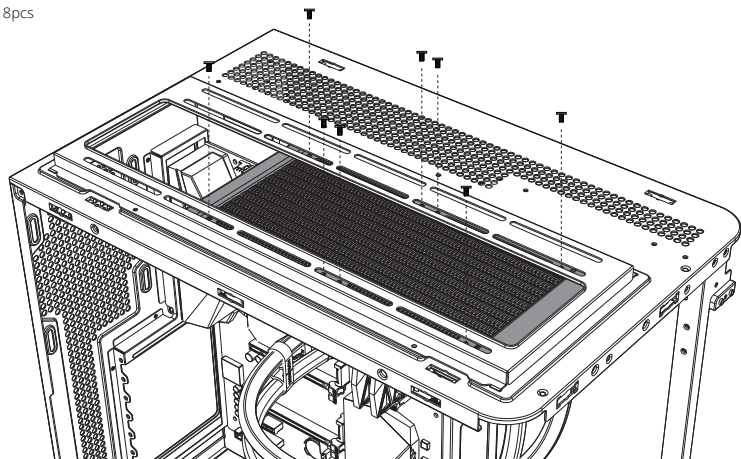
■ 水冷安裝機殼方式 / AIO radiator installation / Installation du radiateur AIO / AIO-Kühlkörper-Installation / Instalación del radiador AIO / Instalação do radiador AIO / AIO ラジエーターの取り付け / AIO 라디에이터 설치 / Установка кулера формата AIO



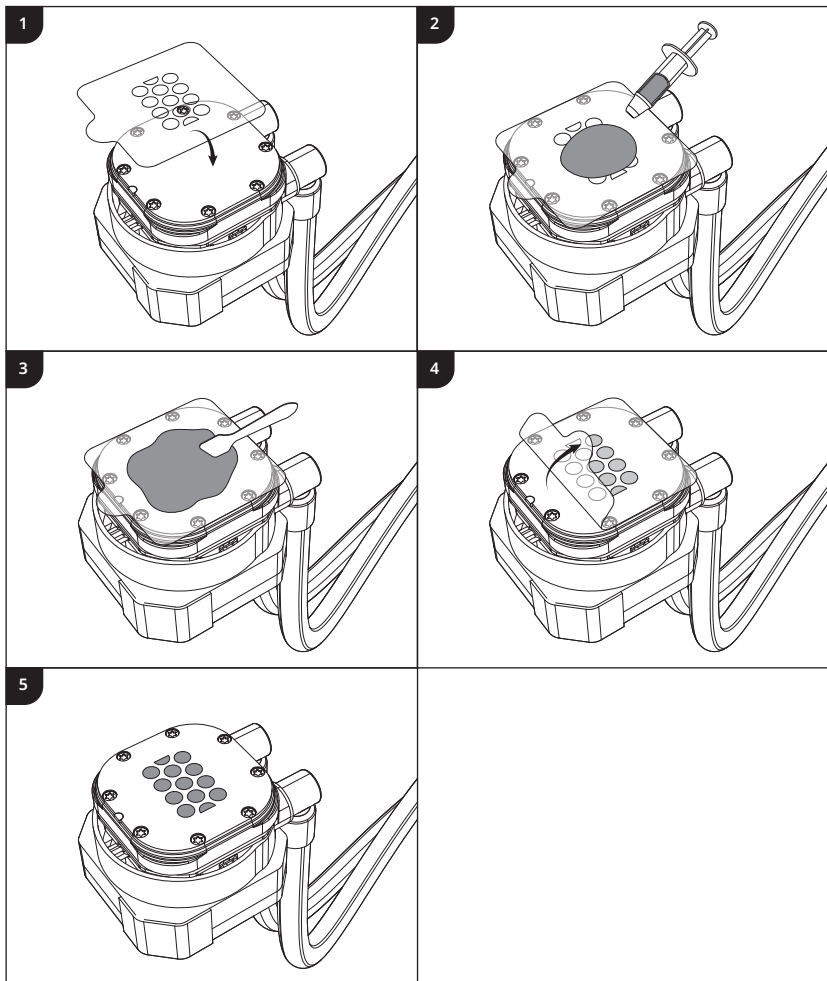
360mm: 12pcs



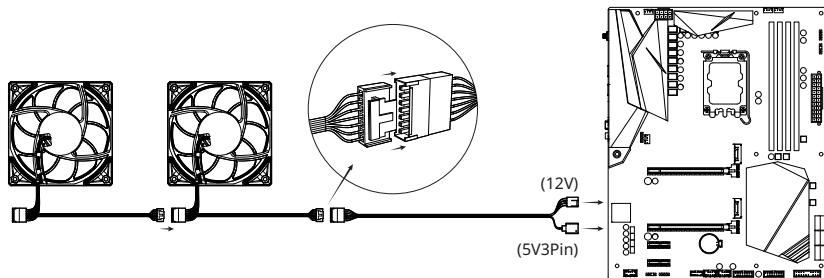
240mm: 8pcs



導熱膏塗抹方式與步驟 / Application method for thermal paste / Appliquer la pâte thermique / Wärmeleitpaste auftragen / Aplicar pasta térmica / Aplicar pasta térmica / サーマルペーストの塗布 / 서멀 페이스트 바르기 / Применение термопасты



■ 風扇接線方式 / Cable connection for fans / Connexion du câble des ventilateurs / Kabelverbindung der Lüfter / Conexión de los cables de los ventiladores / Ligação dos cabos dos ventiladores / ファンのケーブル接続 / 팬 케이블 연결 / Кабельное подключение вентиляторов



■ 水冷接線方式 / Cable connection of the pump / Connexion du câble de la pompe / Kabelverbindung der Pumpe / Conexión de los cables de la bomba / Ligação dos cabos da bomba / ポンプのケーブル接続 / 펌프 케이블 연결 / Кабельное подключение насоса

