

# **GODO**

## **USER MANUAL**



**GDPD01T**

**2.5/3.5" Dual SATA HDD Docking Station**

## **1.0 INTRODUCTION**

The GDPD01T Dual SATA Hard Drive Dock/Stand-Alone Duplicator is a versatile, practical unit that functions as both a hard drive dock and stand-alone HDD duplicator. This device supports SATA 2.5-inch and SATA 3.5-inch hard drives, up to 1TB and 4TB respectively. It also features the LED progress indicator, One Touch Backup or Duplicate button. It is also designed with a straightforward, uncomplicated USB 3.0 plug-and-play interface. The GDPD01T is compatible with Windows 8/7, Vista, XP, 2000, Mac and Linux operating systems.

Please read this manual carefully before using this device.

## **2.0 FEATURES / SPECIFICATIONS**

- Supports All 2.5 inch & 3.5 inch SATA/II HDDs up to 1TB/4TB or more
- Standable Convenient and Trendy Design
- Support USB 3.0 super-speed (5Gbps)
  - Complies with USB 2.0 high speed (480Mbps), USB 1.1 (12Mbps), USB 1.0 (1.5Mbps)
- Easy installation plug & play and hot-swappable
- LED progress indicator
- Supports One Touch Backup or Duplicate
- Functions as a stand alone HDD duplicator
- Delivers a 1-to-1 clone equal to or greater in size than original

- Dimensions: 126.5mm(L) x 114.5mm(W) x 83mm(H)

### **3.0 SYSTEM REQUIREMENT**

#### **PC Requirements**

- Minimum Intel Processor Pentium II/50MHz, 64MB RAM
- Windows 2000 / XP / VISTA/ 7/8
- Active USB port

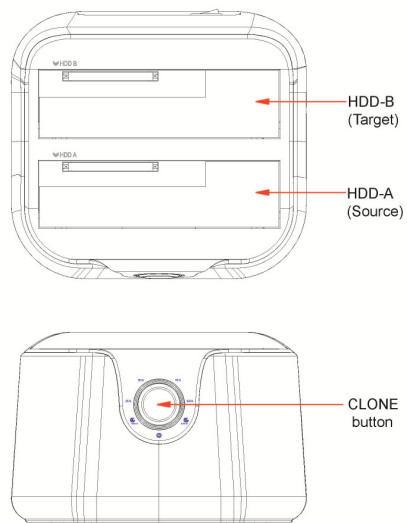
#### **MAC Requirements**

- Minimum Apple G processor, 64MB RAM
- Mac OS 9.1, 9.2, 10.1.5, 10.2, 10.3 or above
- Active USB port

### **4.0 PACKAGE CONTENTS**

- GDPD1T HDD Docking Station
- Power Adapter
- User manual
- USB 3.0 cable

## 5.0 Hardware Setup



### **Device Mode (USB3.0 to SATA External Dual Hard Drive)**

- Install your SATA hard drive properly to the port connector on the docking station
- Connect the docking station to your computer by USB cable
- Connect the power adapter to the enclosure and power up the docking station
- The computer should now detect the new hardware .For

Windows2000/XP/VISTA/7/8, no driver setup is necessary .  
Please Proceed to step 6.0 to format your drive.

### Duplication Mode

- Install 2 hard drives into the dock. Make sure to place the drive with the data you want copied (Source) into the "Source" bay. The target disk (Target) should be equal or larger in capacity than the source disk.
- Connect the power adapter to the enclosure and press the POWER button to power up the docking station.
- After about 10 seconds, Keep pushing the CLONE button for 3 seconds to begin duplication. Clone Progress indicator(25%,50%,75% and 100%,4 status) Would be acted. Show as below:

	LED Status			
	25%	50%	75%	100%
Silkscreen	Green	Red	Yellow	Orange
LED Color	Green	Red	Yellow	Orange
Duplication started	Solid LED for every 25%done incrementally			
Duplication in progress	LED moving back and forth			
Duplication Complete	All LED remain constantly on			

Note:

1. Can't connect the docking station to your computer by USB cable for duplicator mode.

2 A cloned drive also takes over the disk ID from the master drive. This causes Windows 7 and Vista to shut down one of the drives if both drives are placed into the HDD docking after cloning. The disk can be switched online again in the windows option "Disk Management".

## **6.0 Format your Hard Drive**

(If the drive already appears in "My Computer", Please skip to 6.2)

6.1 For an un-partitioned or un-formatted new drive , it normally does not automatically appear in "My Computer" the first time. Please follow these steps:

Windows 2000/XP/VISTA/7/8

·Right key of Mouse beat "My computer", Choose "Manager" choose "disk manager" of the list

·The operating interface will show on the computer, Subarea Format following the operating interface.

Attention:

About Windows2000/XP/VISTA/7/8, Please choose NTFS Format, When the capacity is blow 32GD, You can choose FAT32 format.

6.2 Go to "My Computer" , locate the removable disk, right click on it, and select "format" from the drop-down list, follow the instructions to complete the formatting process.

Note: By this method to format your drive it will result in a single partition in largest drive capacity, which is also highly recommended

## **7.0 FAQs:**

Q: I can't find the drive under my computer, why?

A: Please make sure your new hard disk has been partitioned.

Q: After plugging the USB port, the drive is not spinning at all, why?

A: The USB cable doesn't connect successfully

Q: After installing the drive. Why it is still recognized as "Unknown device"

A: This means the driver installation is not successful, please install the driver one more time

Q: Can I use external USB hub?

A: Yes, USB hub works in the same way as the computer USB ports

Q: My computer doesn't have USB 3.0 port, Can I use USB 3.0 host adaptor?

A: USB 3.0 host adapter works in the same way as the built-in USB ports.

## **8.0 The Safe Usage Guides**

- cleanliness  
Wiping with the soft cloth, don't use solvent like benzene

or alcohol.

- The energy consumption

When the dock is in standby state, it is still connects with the power,which still keeps consuming electricity.Please cut off the machine and the power, and pull out the power plug from the electric outlet.

- Avoid heat, damp, water and dust

Don't expose the player in damp, rain, sand ground or high temperature environment.(heat equipments or under the sun light).Avoid the problem of expand with heat and contract with cold.When the player suddenly moves from the cold environment to the warm environment, machine surface and inner part may have water fog(bead), so please doesn't play the machine and let the player in the warm environment until humidity evaporation.

- Don't obstruct ventilation

Don't operate the player inside the close box or cabinet,please make sure there is t 10cm (4 inches)around for well ventilated space.