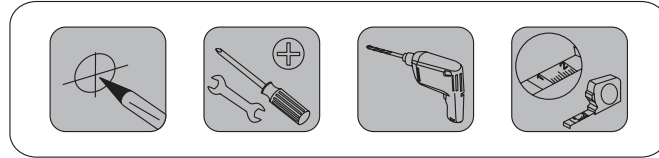
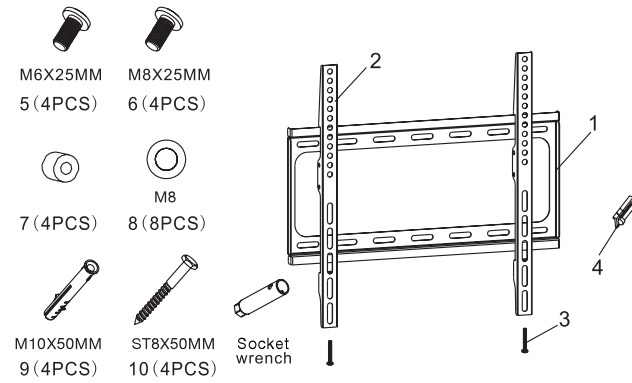




Item No.: 798SF

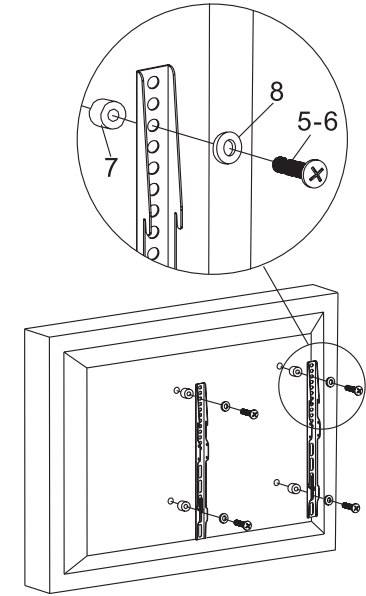
Installation guide

FIND A LIST OF THE TOOLS REQUIRED ON THE BACK.



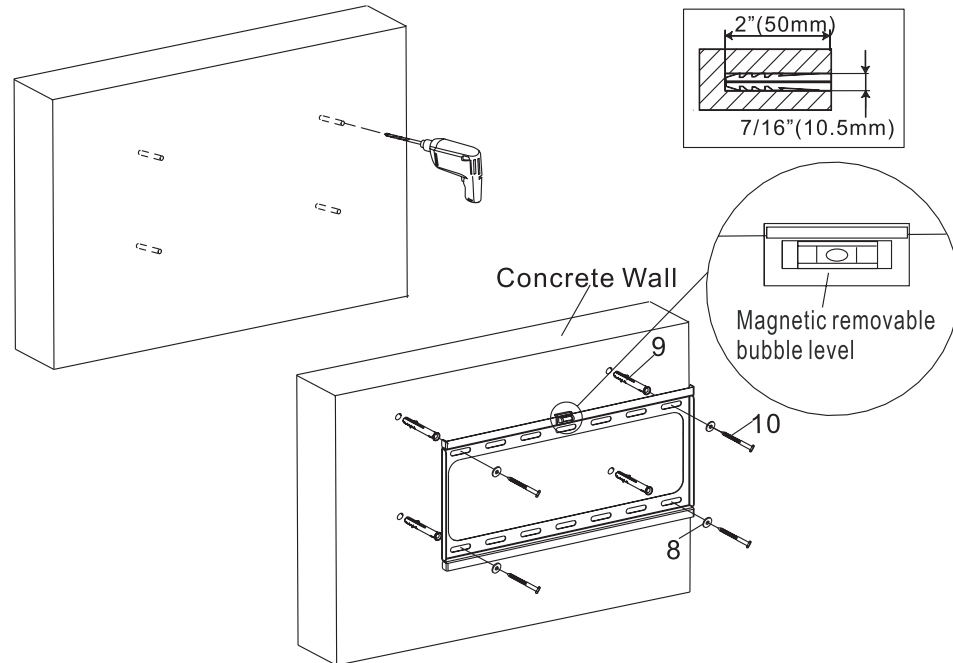
STEP2

Attaching Brackets To Screen



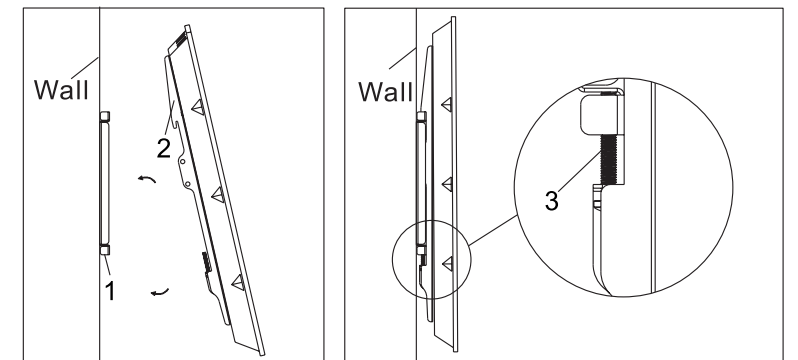
STEP1-A

Solid concrete mounting



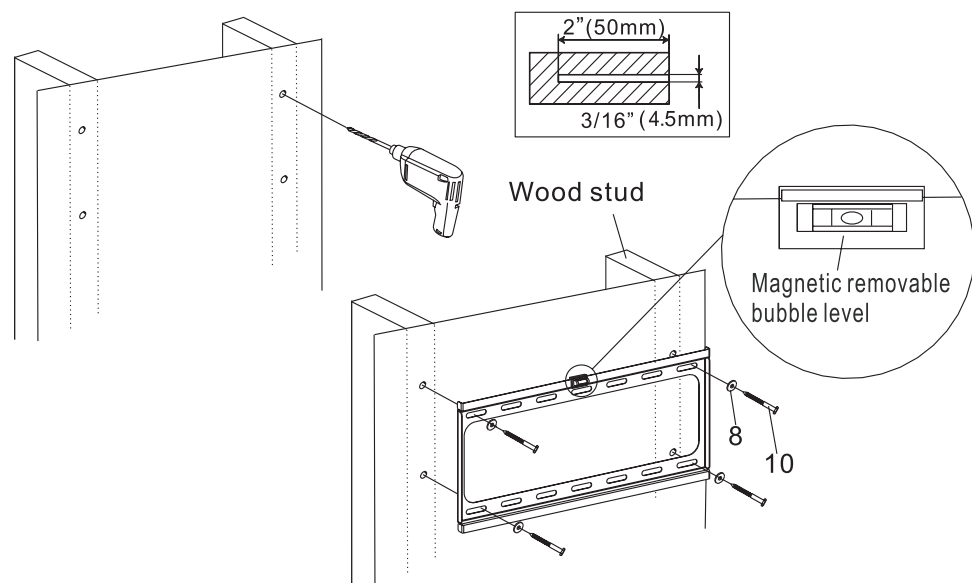
STEP3

Hang the TV onto the wall plate



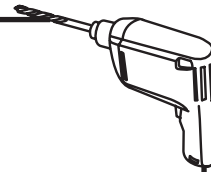
STEP1-B

Wood Stud Mounting



✓ TOOLS REQUIRED:

- Cordless or Electric Drill
- 4.5mm (1/8") Drill Bit for Drywall/Wood Stud Installation
- 10.5mm (7/16") Drill Bit for Concrete/Masonry Installation
- Socket Wrench
- High Quality Stud Finder
- Long & Regular Phillips Head Screwdrivers
- Safety Goggles
- Measuring Tape
- Level
- Pencil



⚠ CAUTION

This product contains small items that could be a choking hazard if swallowed. Keep these items away from young children.

- Safety gear and proper tools must be used. A minimum of two people are required for this installation. Failure to use safety gear can result in property damage, serious injury or death.
- Please check joint parts every two months, making sure the screws are secured.

This product was designed to be installed on wood stud walls and solid concrete walls. Before installing, make sure the wall will support the combined load of the equipment and hardware. Never exceed the maximum load capacity or else it may result in product failure or personal injury.

Note: This product is intended for indoor use only. Use of this product outdoors could lead to product failure or personal injury.



Flat Panel Display Mounts 1-Year Limited Warranty

IPSG warrants that this product is free from any defects in materials or workmanship within one year of purchase date. If such a defect is discovered within this warranty's limitations, IPSG agrees at its sole discretion to repair this product or to replace it with the same item or one of equal value, free of charge to the original purchaser. Please return the defective product to the store where it was purchased.

EXCLUSIONS:

This warranty does not apply to this product if the product has been modified, tampered with, subjected to abnormal conditions, installed incorrectly, misused or transferred to another consumer other than the original purchaser.

IPSG requires professional installation for all display mounts and does not accept damages or liability due to improper installation or installation within and to structures that cannot support the mount and/or display weight.

Product Registration

Please register this product at www.ipsgproducts.com

Click the "REGISTRATION" link button in the side menu. Enter your name, address and contact information. Continue to Step 2 and select your product type as "LCD/TV/Display Accessories". In Step 3 choose your model name and number in the drop down menu and place of purchase to complete your registration. Your personal contact information will remain private and will not be sold or given to another company.

If you have questions, please contact us through the side bar menu link on the www.ipsgproducts.com web page. Enter all of your product and personal information in the appropriate fields so we can best respond to your inquiry.

© International Products Sourcing Group, Inc. 2013. No part of this user manual may be reproduced in any form or by any means, mechanical or electronic, including recording, photocopying, or by any information storage or retrieval system, without permission in writing from IPSG.

Read all instructions carefully before installation.

The installer of this product must verify that the mounting surface, ceiling or wall will safely support the combined weight of all attached equipment and hardware. Improper mounting installation and/or exceeding recommended TV weight can result in damage to the TV and may cause injury or death. This product is not intended to hold more than the maximum weight advised on the packaging. If you do not understand these directions, or have any doubts about the safe installation of your television mount please contact a professional installer to install it for you.