

Arcade Sound Kit

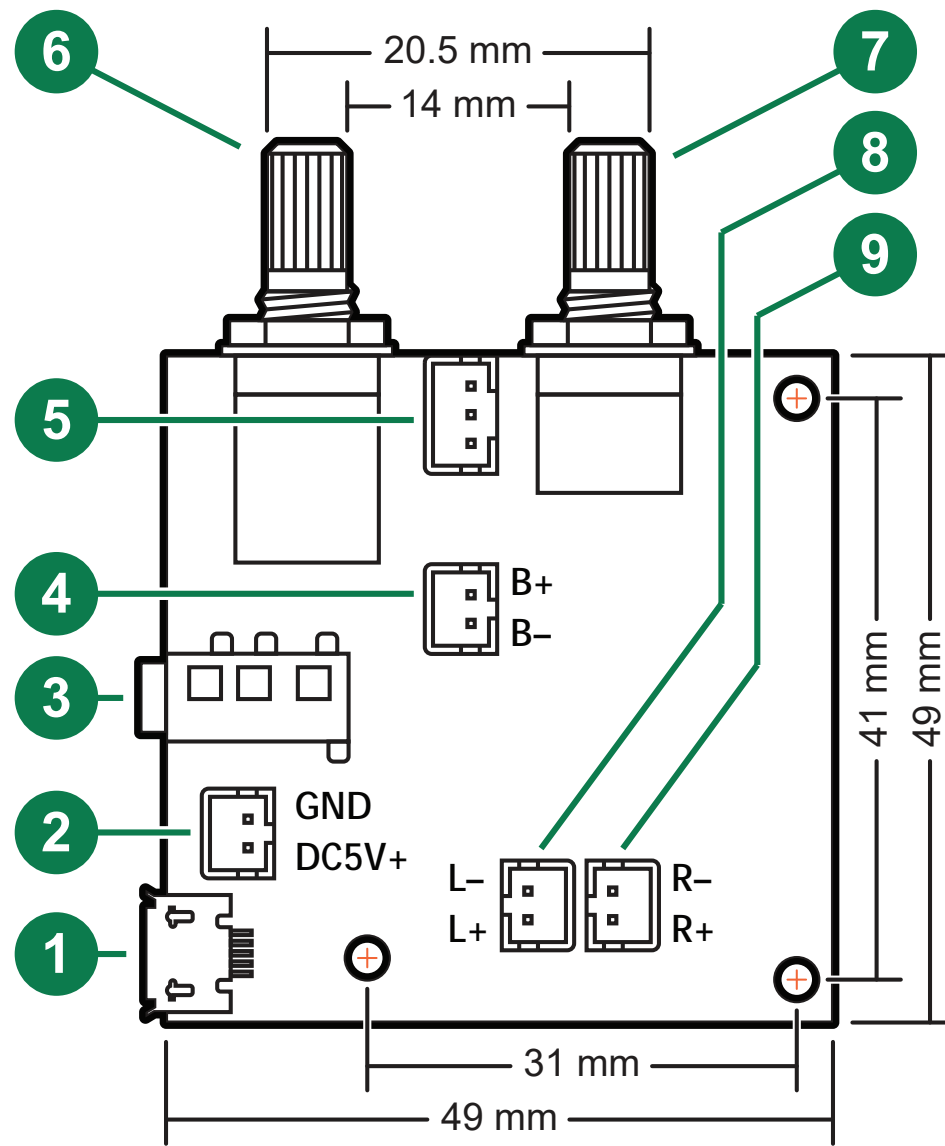
Assembly Manual



Kit Includes

- 2x 4" Full Range Speakers
- 1/8" Stereo Aux Cable
- BT Amplifier Board
- USB Micro B Cable
- Wiring Harness for Speakers

1. Install speakers into both inner sides of the cabinet by using self-tapping screws. (screws will be provided with cabinet)
2. Plug in the USB Micro B cable into the Micro USB power input **1**. Use common USB power adapter to power your stereo. (iphone chargers, etc.)
3. Attach + and - amp wires to corresponding metal tabs located on top of the speakers, then take end of wiring harness and secure wires into the labeled outputs located on the amp **8** **9**.
4. Plug aux cable into the 3.5mm line input **3** on the amp and then plug the end into your desired audio source. (Monitor, Raspberry Pi, etc.)
5. Turn power/volume switch **6** clockwise to turn on.



1. Micro USB Power Input
2. Battery Input
3. 3.5 mm Line Input
4. Subwoofer Speaker Output
5. Line Output
6. Volume/Power Switch
7. Bass Control
8. Left Speaker Output
9. Right Speaker Output