

A

B

C

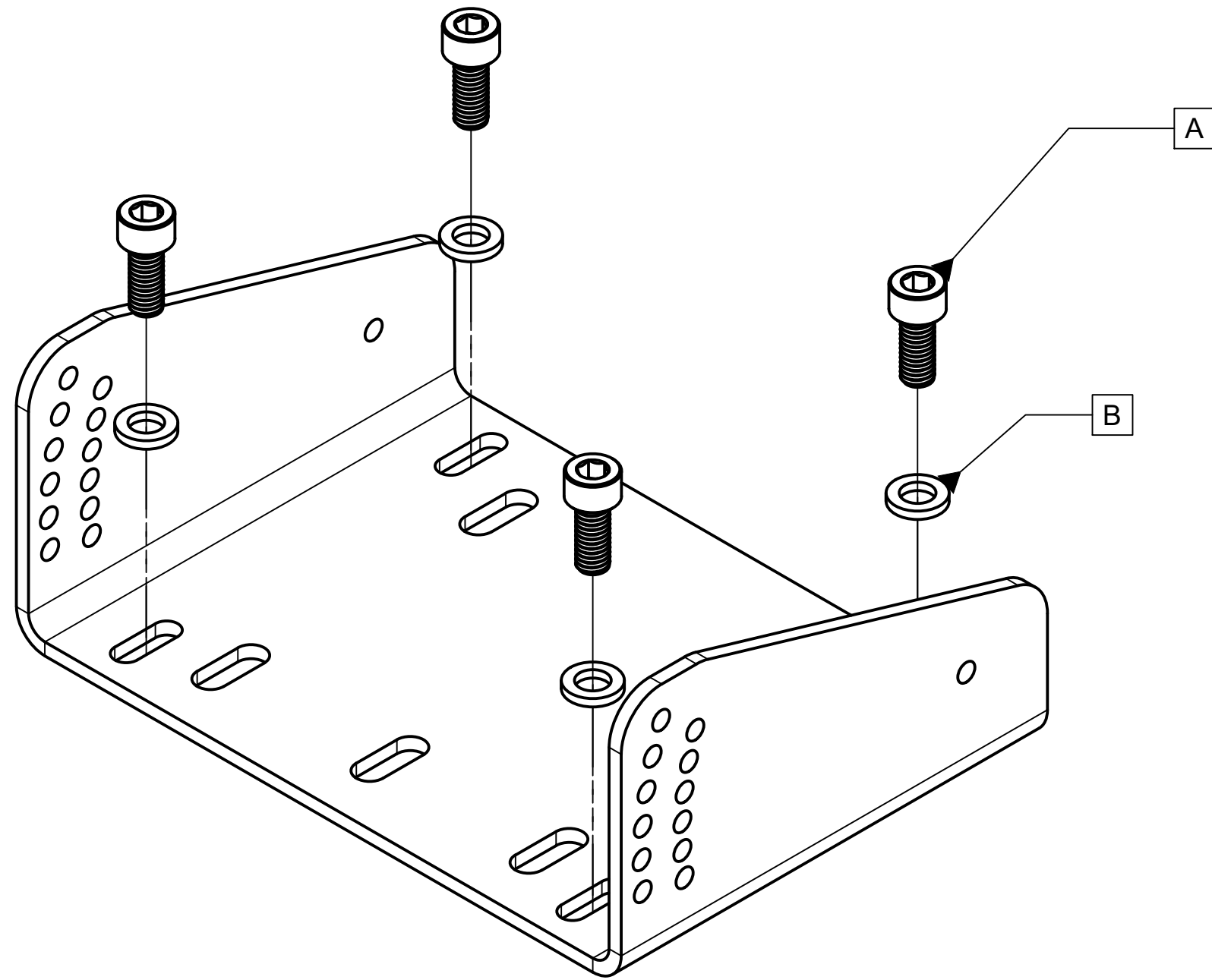
D

E

F

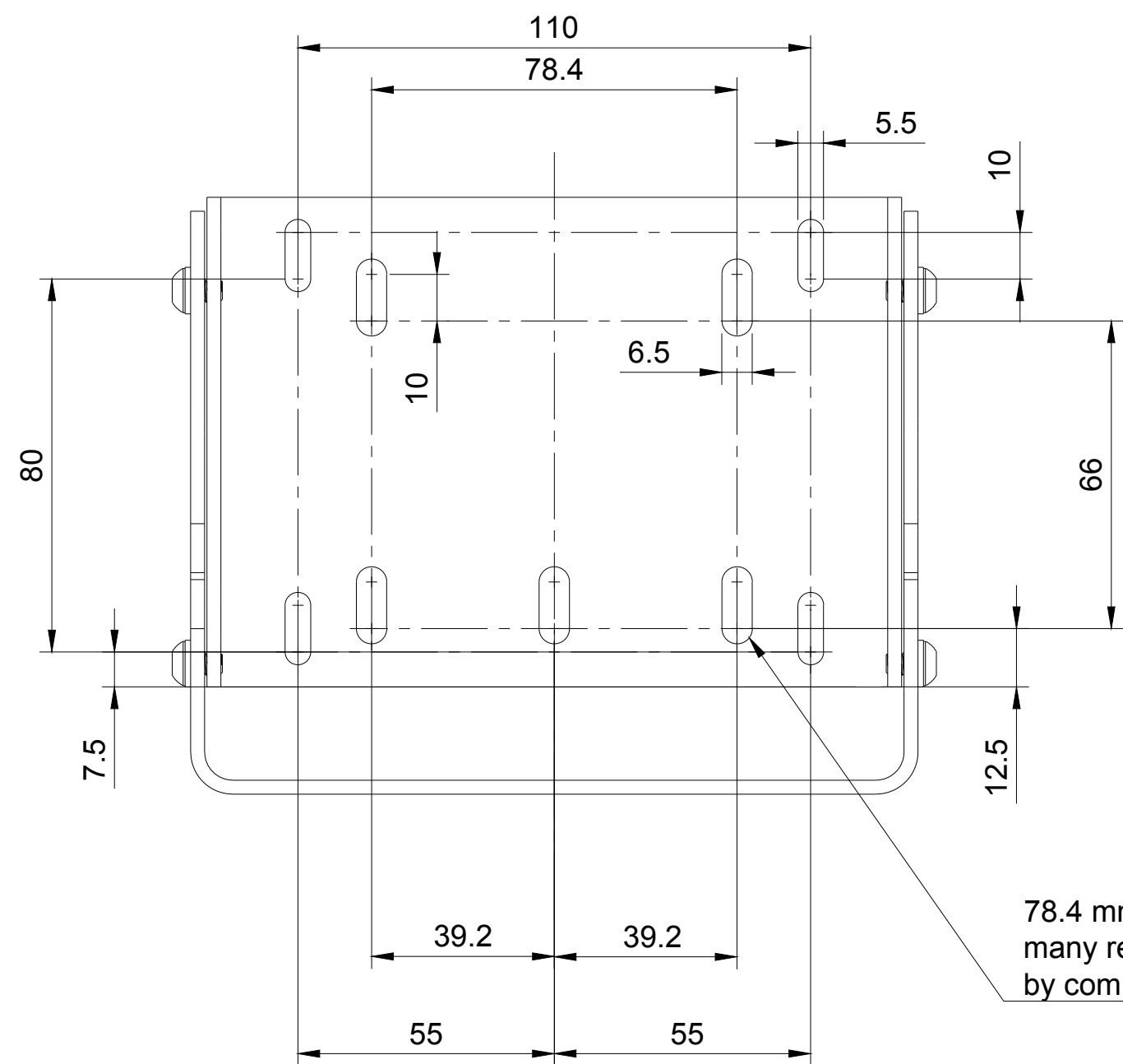
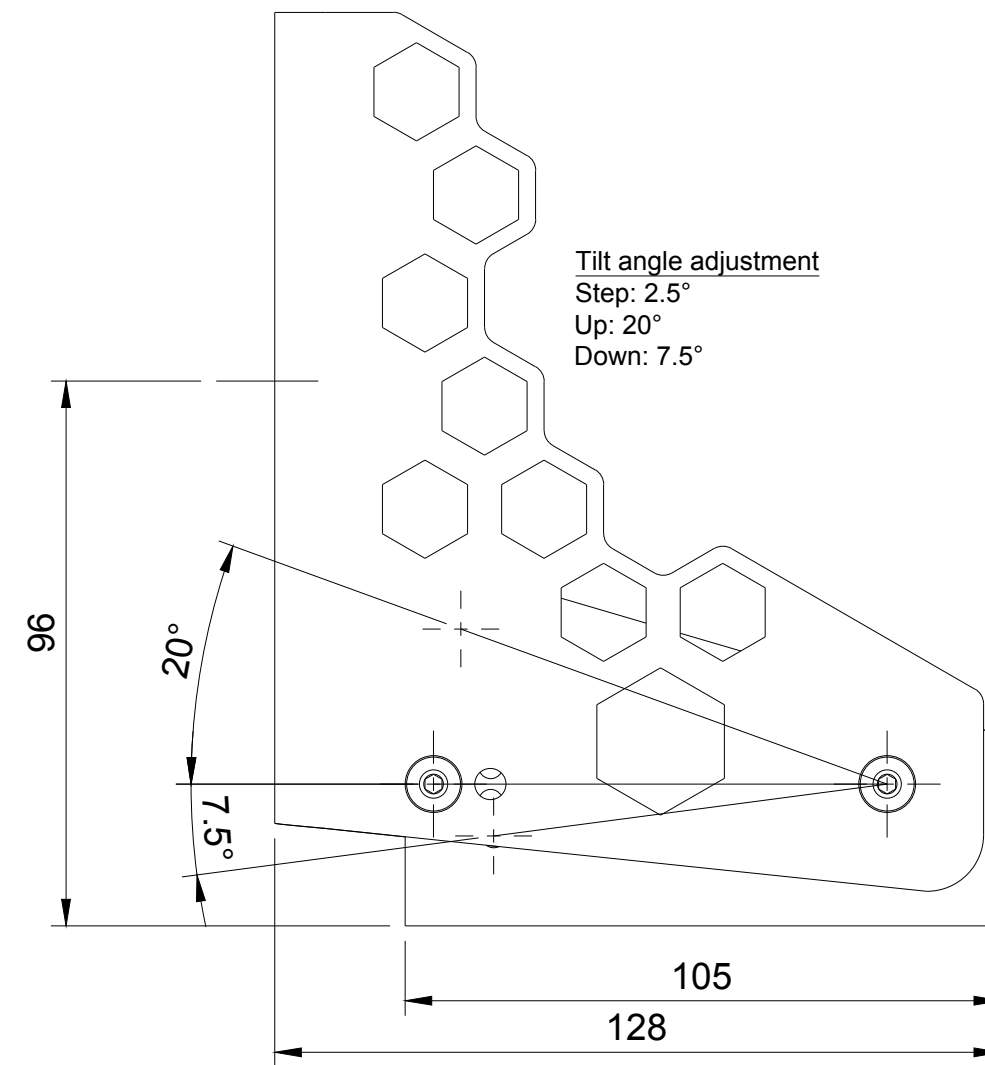
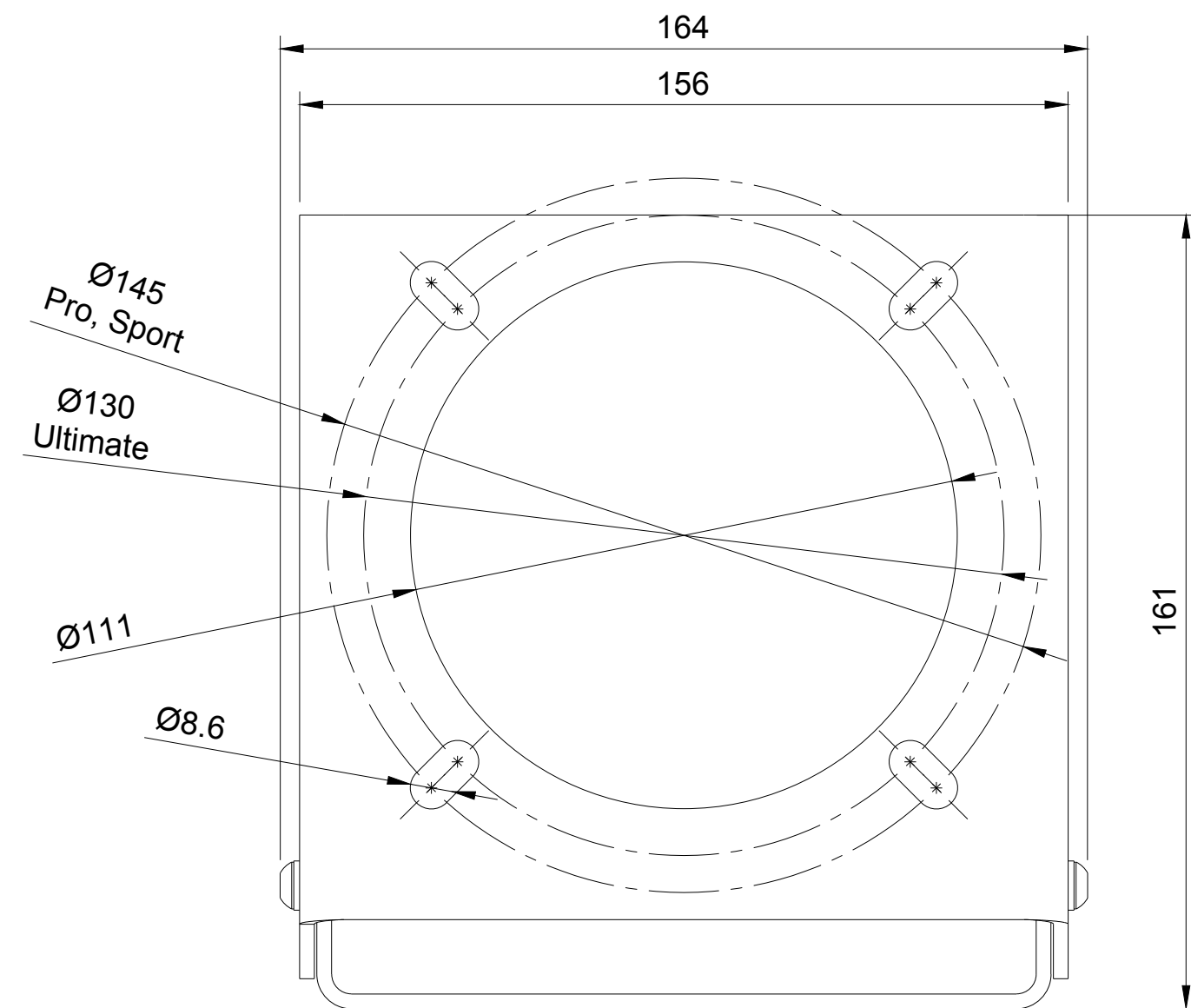
G

H

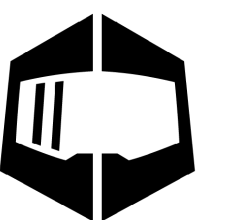


Simucube Mount

All dimensions in mm



78.4 mm x 66 mm hole pattern is compatible with many readily available deck mounts, check compatibility by comparing to manufacturer's drawings.



SIMUCUBE

Simucube Mount

Drilling guide, A4, print at 100% scale
All dimensions in mm

